

[TopPage](#)>>[Search Result](#)>>7214DB

# Angular Contact Ball Bearings

Bearing No. : **NACHI 7214DB**

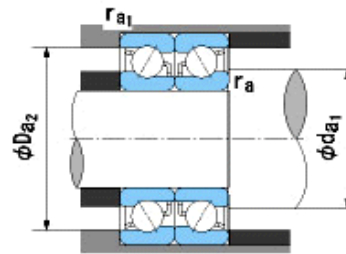
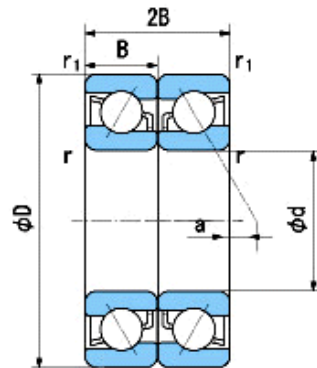
■ Bearing Type

■ Clearance

■ Tolerance Class

### Dimensions

d = 70<sup>0</sup><sub>-0.015</sub>  
 D = 125<sup>0</sup><sub>-0.018</sub>  
 B = 24<sup>0</sup><sub>0.000</sub>  
 r = 1.5~2.3  
 (Radial Direction)  
 r = 1.5~4  
 (Axial Direction)  
 r1 = 1~1.9  
 (Radial Direction)  
 r1 = 1~3  
 (Axial Direction)  
 a = 16.1



### Dimensions

da1(min) = 79  
 da2(min) = 75  
 Da1(max) = 116  
 Da2(max) = 119.6  
 ra(max) = 1.5  
 ra1(max) = 1  
 Mass = 2.24 kg

Basic Dynamic Load Rating Cr : **124,000** N

Basic Static Load Rating Cor : **127,000** N

Limiting Speed ;

Grease Lubrication : **3,800** min<sup>-1</sup>

Oil Lubrication : **5,000** min<sup>-1</sup>

	INNER RING	OUTER RING
O.D.Surface Runout with Side :		-
Axial Runout with Bore :	-	
Axial Runout with Raceway :	-	
Width Variation :	<b>0.025</b>	<b>0.025</b>
Radial Runout :	<b>0.020</b>	<b>0.040</b>